



**THE MOST INNOVATIVE &
EFFICIENT RETRACTABLE
LOADING PLATFORM
SYSTEM USED
WORLDWIDE**

SUPERDECK™

4.2G SERIES

- ENABLES EFFICIENT & SAFE DELIVERY OF ALL BUILDING MATERIALS TO MULTIPLE FLOORS
- DESIGNED FOR SAFE AND EFFICIENT INSTALLATION, RELOCATION & REMOVAL
- PROVEN TO REDUCE CONSTRUCTION COSTS & PROVIDE SUPERIOR SAFETY BENEFITS
- VERTICALLY POSITIONED FOR INCREASED CRANE PRODUCTIVITY & SAFETY
- MINIMISED CRANE MOVEMENTS CREATING FASTER AND MORE EFFICIENT CRANE OPERATION
- CRANE OPERATORS CAN “SPOT” THE SUPERDECK™ IN ONE LOCATION, SUBSTANTIALLY INCREASING CRANE PRODUCTIVITY AND FASTER COMPLETION
- FOLDS FLAT TO REDUCE TRANSPORT COSTS ALLOWING MULTIPLE DELIVERIES AT ONE TIME
- GREATLY REDUCED OBSTRUCTION TO CRANE ROPE AND LOAD
- 5000KG SAFE WORK LOAD (UDL)
- ADJUSTABLE PROPS PRE-FITTED FOR FAST & EASY INSTALLATION
- ONE PERSON EASY PUSH-PULL OPERATION
- SELF LEVELLING RAMPS PROVIDE EASY ACCESS FOR FORKLIFT PALLET TROLLEYS OR DOLLY SYSTEMS
- FITTED WITH FIXED SAFETY HARNESS ANCHOR POINTS

DEVELOPED & PATENTED BY PRESTON THE LEADING EXPERTS IN LOADING PLATFORM TECHNOLOGY

PRESTON™
PERFORMANCE THROUGH INNOVATION

YOUR IMAGINATION IS THE ONLY LIMIT!

SUPERDECK™

4.2G SERIES

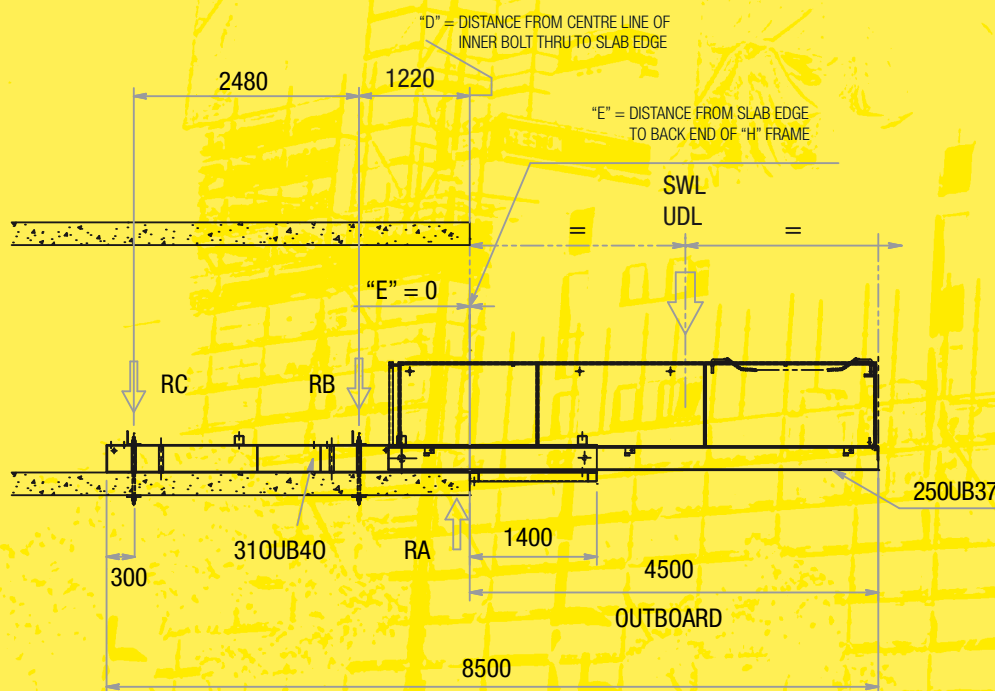
TECHNICAL DATA

SUPERDECK™ PLATFORM
4.2G SERIES BOLTDOWN
 METRIC

OUTBOARD	E	D
4500MM	000MM	1220MM
4750MM	250MM	970MM
5000MM	500MM	720MM
5250MM	750MM	470MM

OUTBOARD	4500MM	4750MM	5000MM	5250MM
LOAD / REACTION IN TONNES				
SWL – UDL	5000KG	4000KG	3200KG	2500KG
RA*	13.1T	14.6T	17.7T	24.2T
RB*	8.8T	10.8T	14.3T	21.1T
RC*	-0.5T	-0.5T	-0.4T	-0.4T
DEFLECTIONS AT OUTER WHEEL	Δ 4.1MM	Δ 4.8MM	Δ 5.5MM	Δ 6.6MM
DEFLECTIONS AT FREE END	Δ 22.8MM	Δ 23.4MM	Δ 24.2MM	Δ 25.8MM

* REACTIONS ON EACH SIDE OF THE PLATFORM.



* ASSUMED LOAD ALWAYS CENTRED ON OUTBOARD OF THE PLATFORM.

* TOTAL TARE WEIGHT = 3500KG.

* ALL LOADS ARE STATIC LOADS
 i.e. NO IMPACT FORCES
 FACTORED INTO REACTIONS.

* ALL LOADS ARE WORKING LOADS.
 i.e. NO LOAD FACTORS APPLIED.

* HORIZONTAL FORCES NOT
 TAKEN INTO ACCOUNT.

* REACTIONS PROVIDED BASED
 ON RIGID SUPPORTS.
 i.e. EFFECTS OF DEFLECTIONS
 OF SUPPORTING SLABS NOT
 FACTORED INTO DESIGN.

FOR INFORMATION, RATES OR TECHNICAL SPECIFICATIONS ON THE **SUPERDECK™**
 PLEASE CONTACT **PRESTON** OR VISIT OUR WEB SITE.

PRESTONGROUP.COM.AU

PRESTON™
PERFORMANCE THROUGH INNOVATION

NSW
 196 SILVERWATER ROAD SILVERWATER NSW 2128

TELEPHONE 02 9648 4855
FACSIMILE 02 9737 9207
EMAIL NSWSALES@PRESTONGROUP.COM.AU

QLD
 104 MILLAROO DRIVE GAVEN QLD 4211

TOLLFREE 1800 440 550
TELEPHONE 07 5529 4155
FACSIMILE 07 5529 4166
EMAIL QLDSALES@PRESTONGROUP.COM.AU

SUPERDECK™

4.2G SERIES

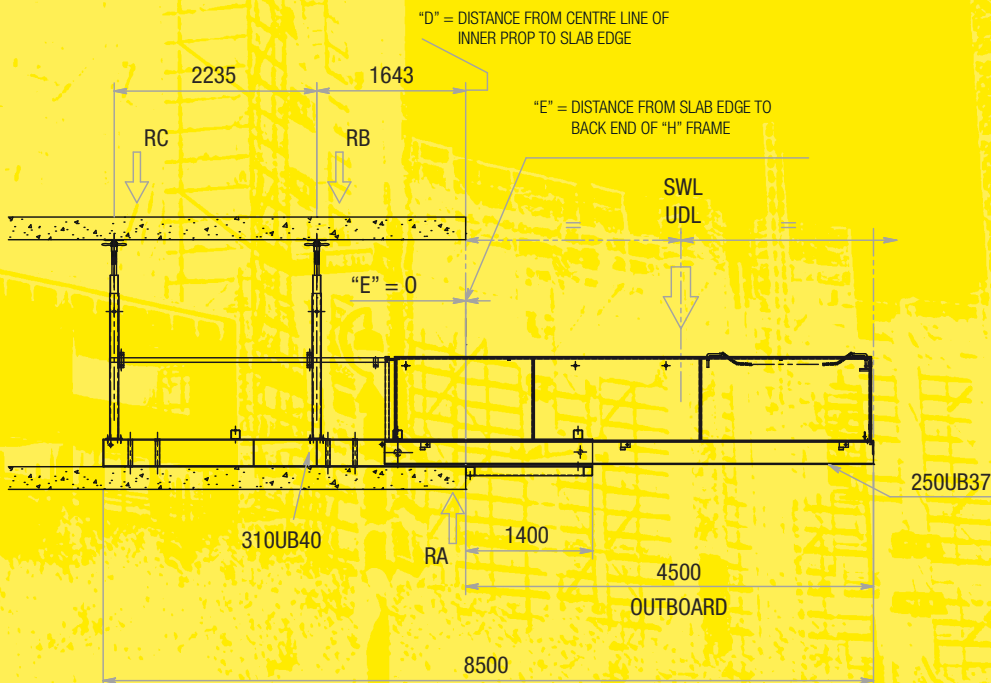
TECHNICAL DATA

SUPERDECK™ PLATFORM 4.2G SERIES PROP REACTIONS METRIC

OUTBOARD	E	D
4500MM	000MM	1643MM
4750MM	250MM	1393MM
5000MM	500MM	1143MM
5250MM	750MM	893MM

OUTBOARD	4500MM	4750MM	5000MM	5250MM
LOAD / REACTION IN TONNES				
SWL – UDL	5000KG	4000KG	3200KG	2500KG
RA*	10.7T	10.9T	11.4T	12.1T
RB*	6.2T	6.7T	7.4T	8.0T
RC*	0.3T	0.1T	-0.3T	-0.7T
DEFLECTIONS AT OUTER WHEEL	Δ 5.9MM	Δ 7.5MM	Δ 9.2MM	Δ 12.0MM
DEFLECTIONS AT FREE END	Δ 28.9MM	Δ 31.2MM	Δ 34.0MM	Δ 39.1MM

* REACTIONS ON EACH SIDE OF THE PLATFORM.



* ASSUMED LOAD ALWAYS CENTRED ON OUTBOARD OF THE PLATFORM.

* TOTAL TARE WEIGHT = 3500KG.

* ALL LOADS ARE STATIC LOADS
i.e. NO IMPACT FORCES
FACTORED INTO REACTIONS.

* ALL LOADS ARE WORKING LOADS.
i.e. NO LOAD FACTORS APPLIED.

* HORIZONTAL FORCES NOT
TAKEN INTO ACCOUNT.

* REACTIONS PROVIDED BASED
ON RIGID SUPPORTS.
i.e. EFFECTS OF DEFLECTIONS
OF SUPPORTING SLABS
NOT FACTORED INTO DESIGN.

FOR INFORMATION, RATES OR TECHNICAL SPECIFICATIONS ON THE **SUPERDECK™**
PLEASE CONTACT **PRESTON** OR VISIT OUR WEB SITE.

PRESTONGROUP.COM.AU

PRESTON™
PERFORMANCE THROUGH INNOVATION

NSW
196 SILVERWATER ROAD SILVERWATER NSW 2128

TELEPHONE 02 9648 4855
FACSIMILE 02 9737 9207
EMAIL NEWSALES@PRESTONGROUP.COM.AU

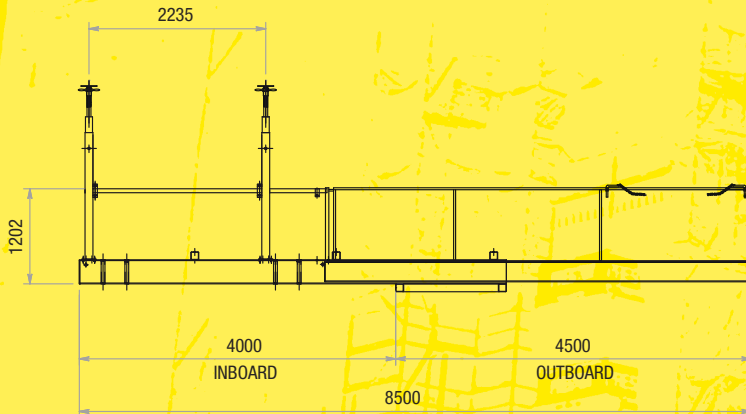
QLD
104 MILLAROO DRIVE GAVEN QLD 4211

TOLLFREE 1800 440 550
TELEPHONE 07 5529 4155
FACSIMILE 07 5529 4166
EMAIL QLDSALES@PRESTONGROUP.COM.AU

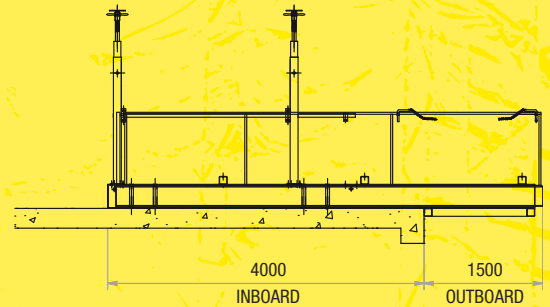
SUPERDECK™ 4.2G SERIES

TECHNICAL DATA

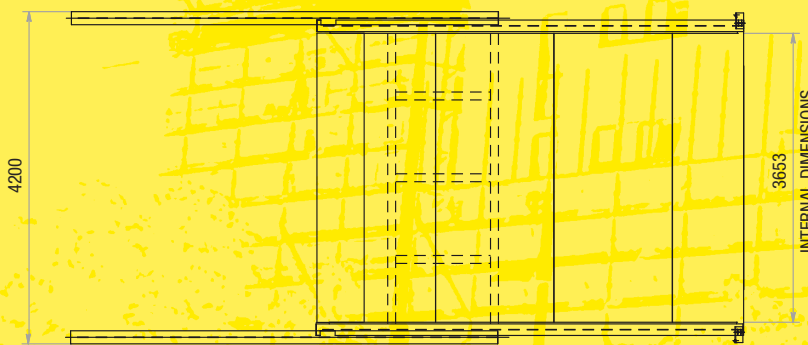
SUPERDECK™ PLATFORM
4.2G SERIES DIMENSIONS
METRIC



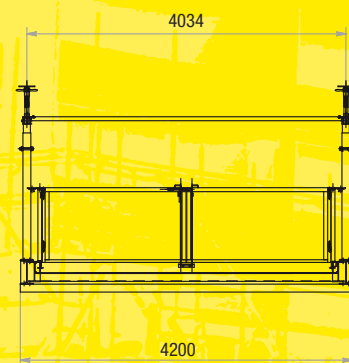
SIDE ELEVATION



RETRACTED POSITION



PLAN VIEW



FRONT ELEVATION

FOR INFORMATION, RATES OR TECHNICAL SPECIFICATIONS ON THE SUPERDECK™ PLEASE CONTACT PRESTON OR VISIT OUR WEB SITE.

PRESTONGROUP.COM.AU

PRESTON[™]
PERFORMANCE THROUGH INNOVATION

NSW
196 SILVERWATER ROAD SILVERWATER NSW 2128

TELEPHONE 02 9648 4855
FACSIMILE 02 9737 9207
EMAIL NSWSALES@PRESTONGROUP.COM.AU

QLD
104 MILLAROO DRIVE GAVEN QLD 4211

TOLLFREE 1800 440 550
TELEPHONE 07 5529 4155
FACSIMILE 07 5529 4166
EMAIL QLDsales@PRESTONGROUP.COM.AU